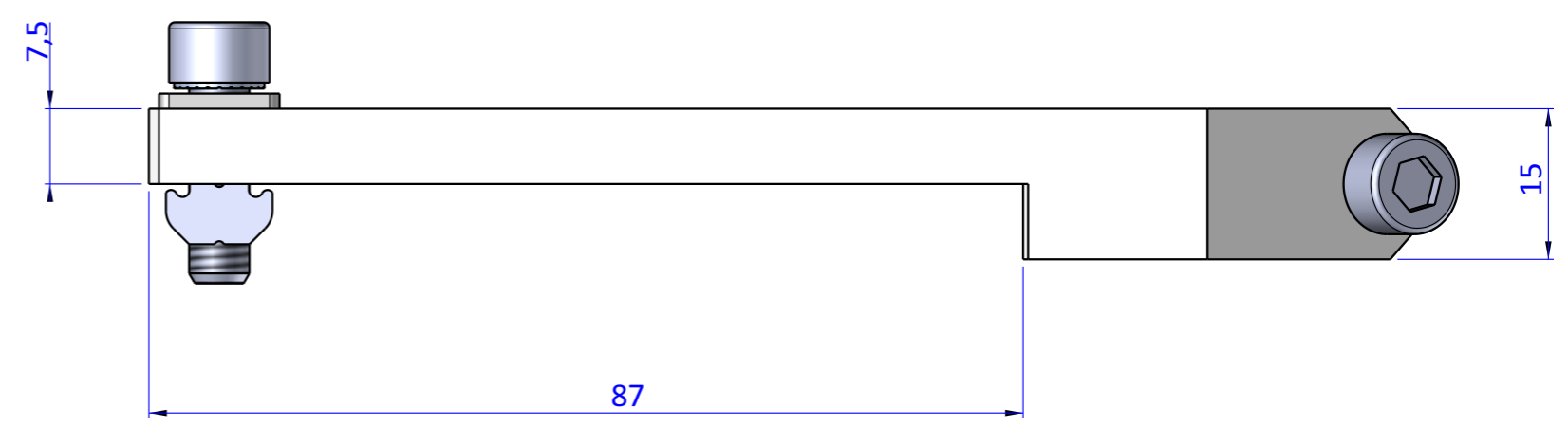
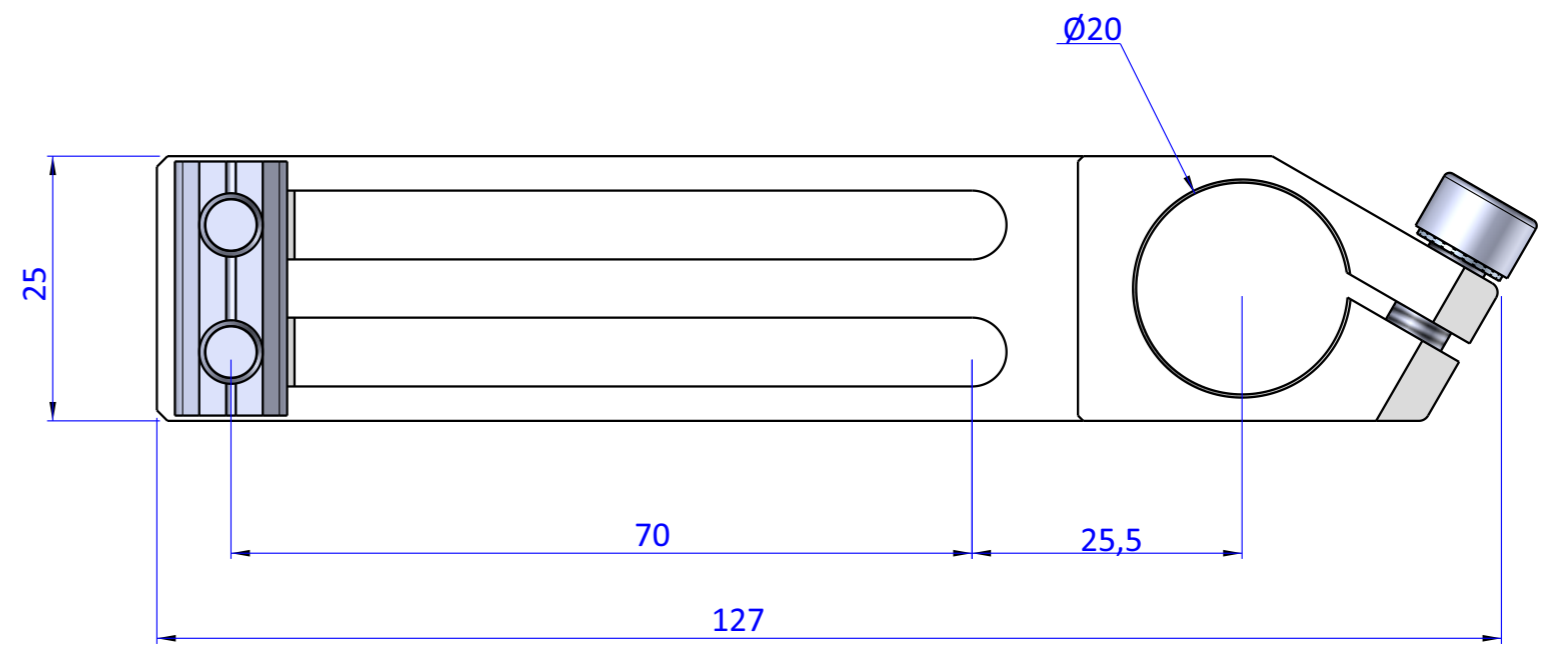
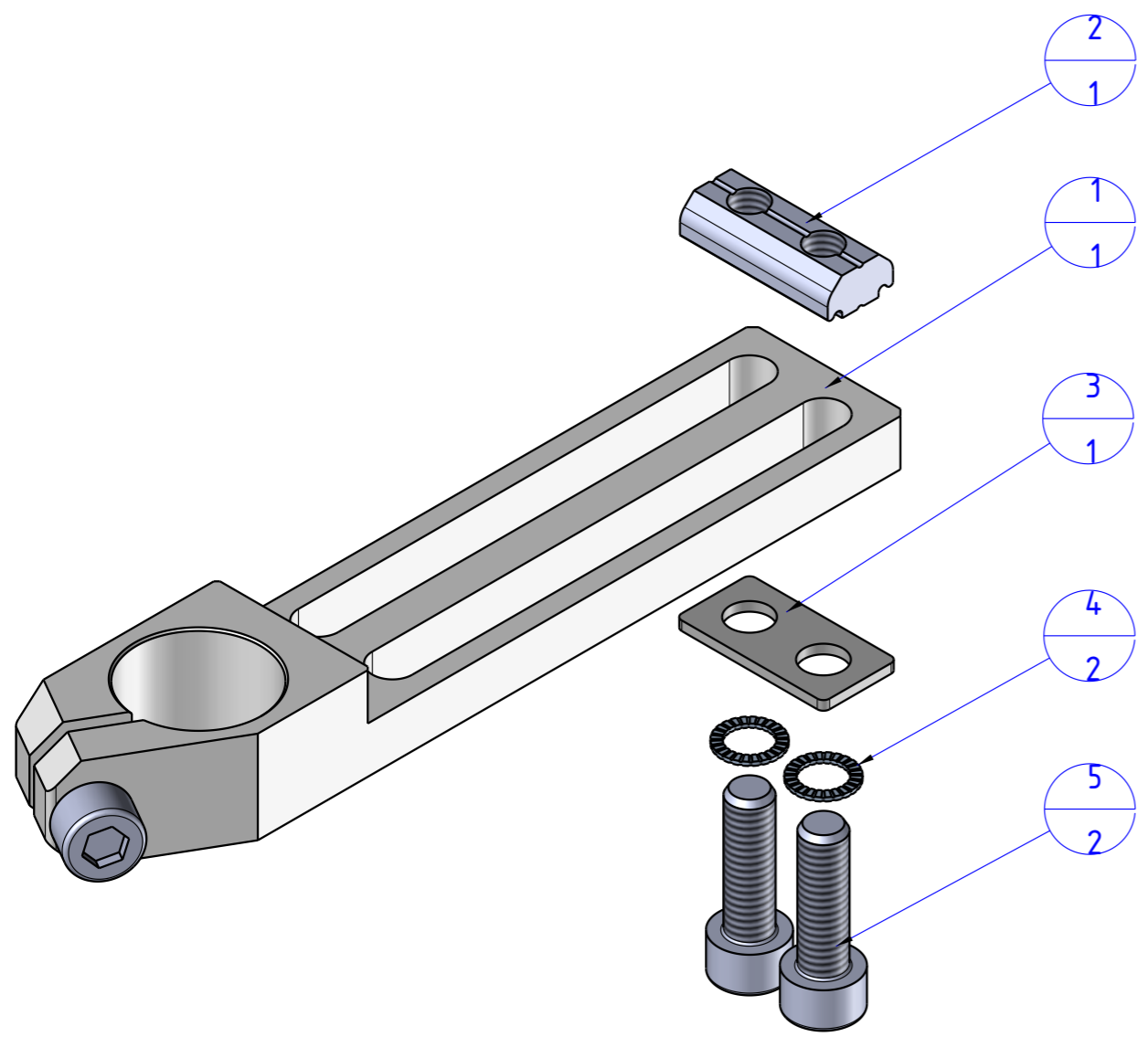

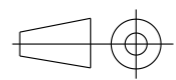


THE PROPERTY OF THE DRAWING IS ESTABLISHED BY LAW. IT IS FORBIDDEN TO PRODUCE OR SHOW IT TO THIRD PART. WITHOUT A WRITTEN AGREEMENT.

Item	Name	Q.ty
1	CA.WSL.2070.U	1
2	CA.GWP.6.12	1
3	R.06.12	1
4	R.6.SCH	2
5	V.TCE6x20	2



Format A3
UNI 936-76

 FPS FPSERVICES AUTOMATION			DESIGNED FROM FPS Automation	REVIEW A
GENERAL TOLERANCE UNI - ISO 2768 CLASSE f	DESCRIPTION CA.WSL.2070.U.JU	DATE 01/03/2021	WEIGHT 0,067kg	CODE CA.WSL.2070.U.JU